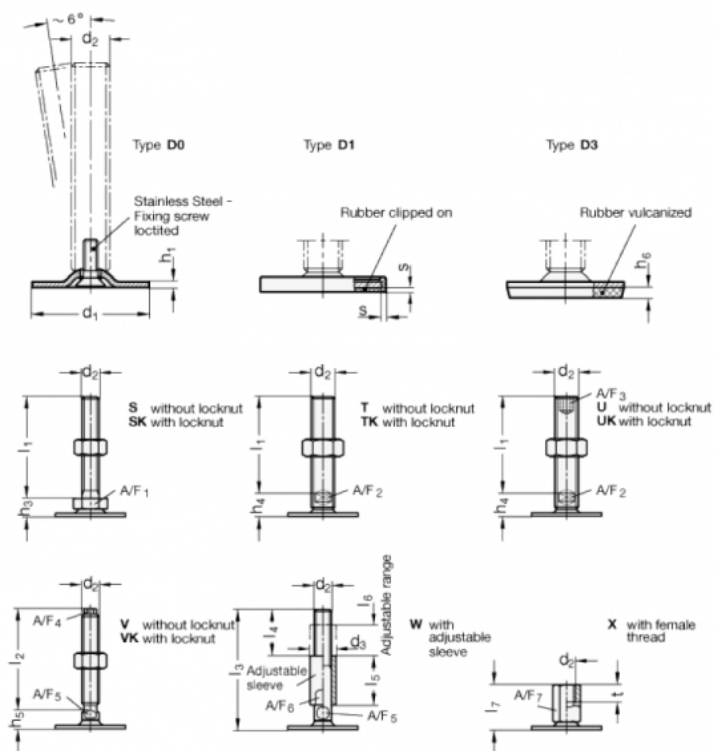


Article number: 204180M16150D3T
 Description: E+G levelling foot
 GN 41-80-M16-150-D3-T
 Note: T Without nut, Wrench flat at the bottom

Measures



A/F2 = 12
 d1 = 80
 d2 = M16
 h1 = 3
 h4 = 18
 h6 = 5
 l1 = 150
 s =